

R4-30 Rotary Latch

Large · Concealed · Two stage

Features

- Single or multi-point latch capability
- Compatible with wide array of actuators
- FMVSS 206 compliant
- EN 45545-3 E60 compliant

Product Performance

- Average ultimate load: 10,675 N as shown (14,230 N with support bracket)

Material

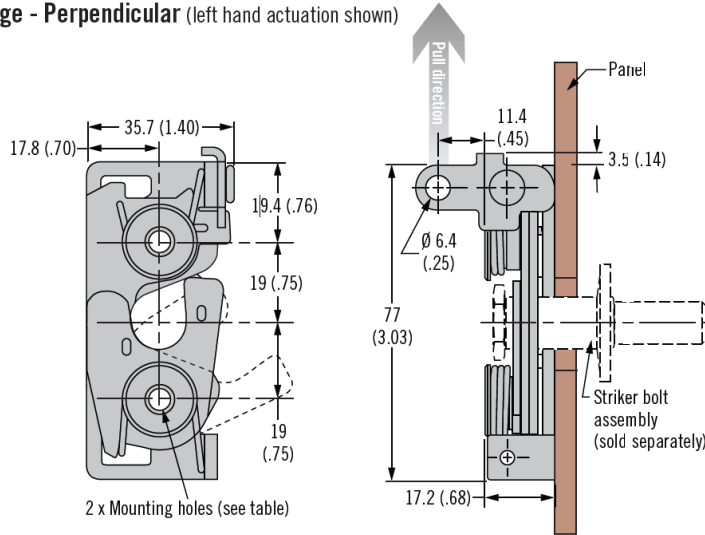
- Steel, zinc plated or stainless steel

Accessories

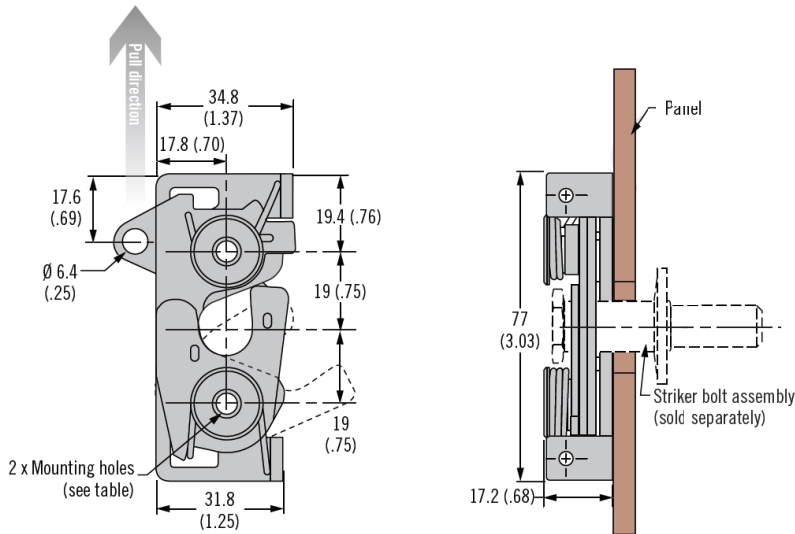
- Striker bolt (sold separately)
- Cables and retainer clips (sold separately)



Two Stage - Perpendicular (left hand actuation shown)



Two Stage - Bottom (left hand actuation shown)



S Stage & Actuation

- 3 Two stage, right hand
- 4 Two stage, left hand

L Lever Type

- 1 Perpendicular
- 3 Two point
- 5 Bottom

R4 - 30 - S I - L 0 1 - M

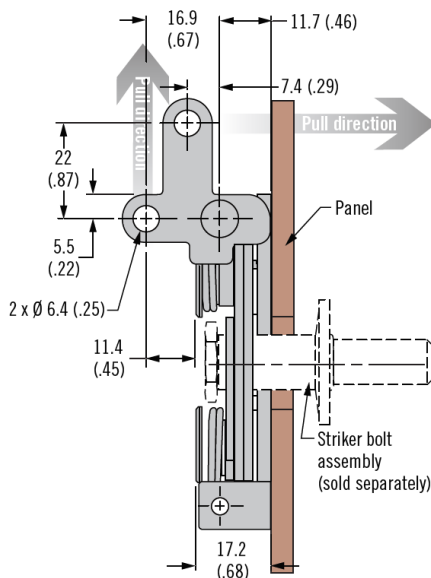
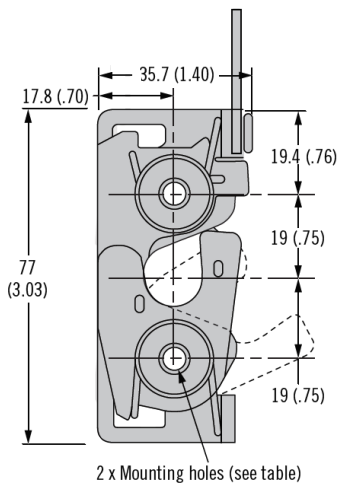
I Mounting Style

- 0 Ø7.2 (.283) thru
- 1 1/4-20 thread
- 2 M6 x 1 thread

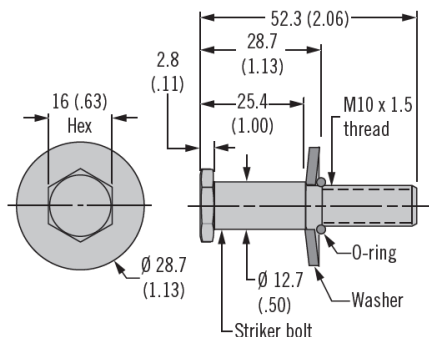
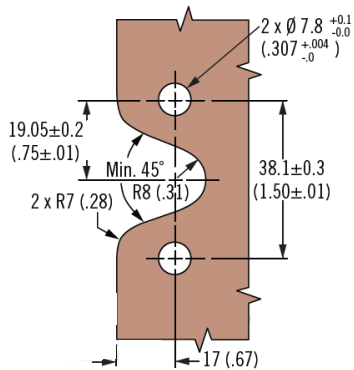
M Material

- 10 Steel
- 20 Stainless steel

2-Point Actuator (left hand actuation shown)



Striker Bolt Assembly (sold separately)



Striker Bolt Part Number	
Part Number	Material
R4-90-321-10	Steel
R4-90-321-20	Stainless Steel

Operation

